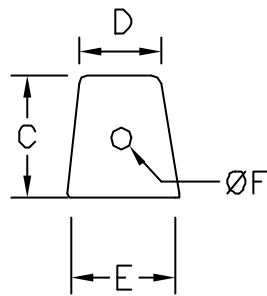


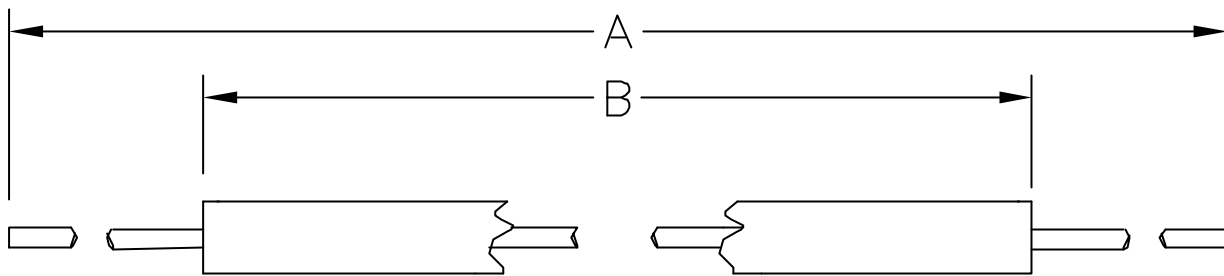
PLAN



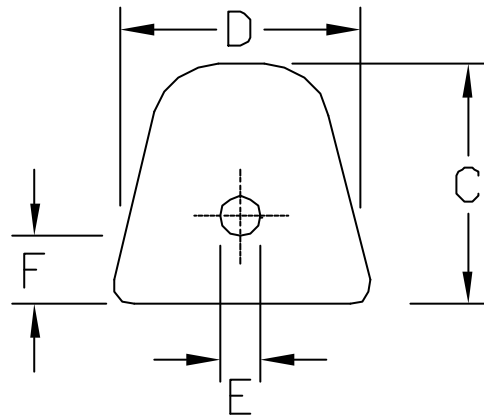
FRONT ELEVATION

CP Tech Aluminium Tank Anode								
TYPE	A	B	C	D	E	F	NETT WEIGHT(KG)	GROSS WEIGHT (KG)
W110	1225	765	50	40	50	Ø13	4.1	5.4
W115	1985	1525	50	40	50	Ø13	8.3	10.3
W156	765	305	75	50	65	Ø13	3.3	3.8
W155	1070	610	75	50	65	Ø13	7.1	8.1
W154	1225	765	75	50	65	Ø13	8.7	10.0
W153	1475	1015	75	50	65	Ø13	11.6	13.1
W152	1730	1270	75	50	65	Ø13	14.5	16.3
W151	1985	1525	75	50	65	Ø13	17.3	19.3
W196	765	305	95	75	85	Ø13	5.8	6.3
W195	1060	600	95	75	85	Ø13	12.2	13.2
W194	1210	750	95	75	85	Ø13	15.0	16.3
W193	1465	1005	95	75	85	Ø13	20.2	21.7
W192	1720	1260	95	75	85	Ø13	25.4	27.2
W191	1985	1525	95	75	85	Ø13	30.9	32.9

All weights in kilograms.  
 All dimensions in millimetre.  
 All weights and dimensions are nominal.



PLAN



FRONT ELEVATION

CP Tech High Purity Zinc Tank Anode								
TYPE	A	B	C	D	E	F	NETT WEIGHT(KG)	GROSS WEIGHT(KG)
WT25Z	1066	610	57	64	∅13	19	10.6	11.3
WT35Z	1066	610	69	77	∅13	23	15.2	15.9
WT45Z	1066	610	79	83	∅13	25	20.4	21.1
WT50Z	1676	1220	57	64	∅13	19	21.3	22.6
WT70Z	1676	1220	69	77	∅13	23	30.4	31.8
WT90Z	1676	1220	79	83	∅13	25	40.8	42.2
WT110Z	1676	1220	91	94	∅13	32	50.0	53.8

All weights in kilograms.  
 All dimensions in millimetre.  
 All weights and dimensions are nominal.



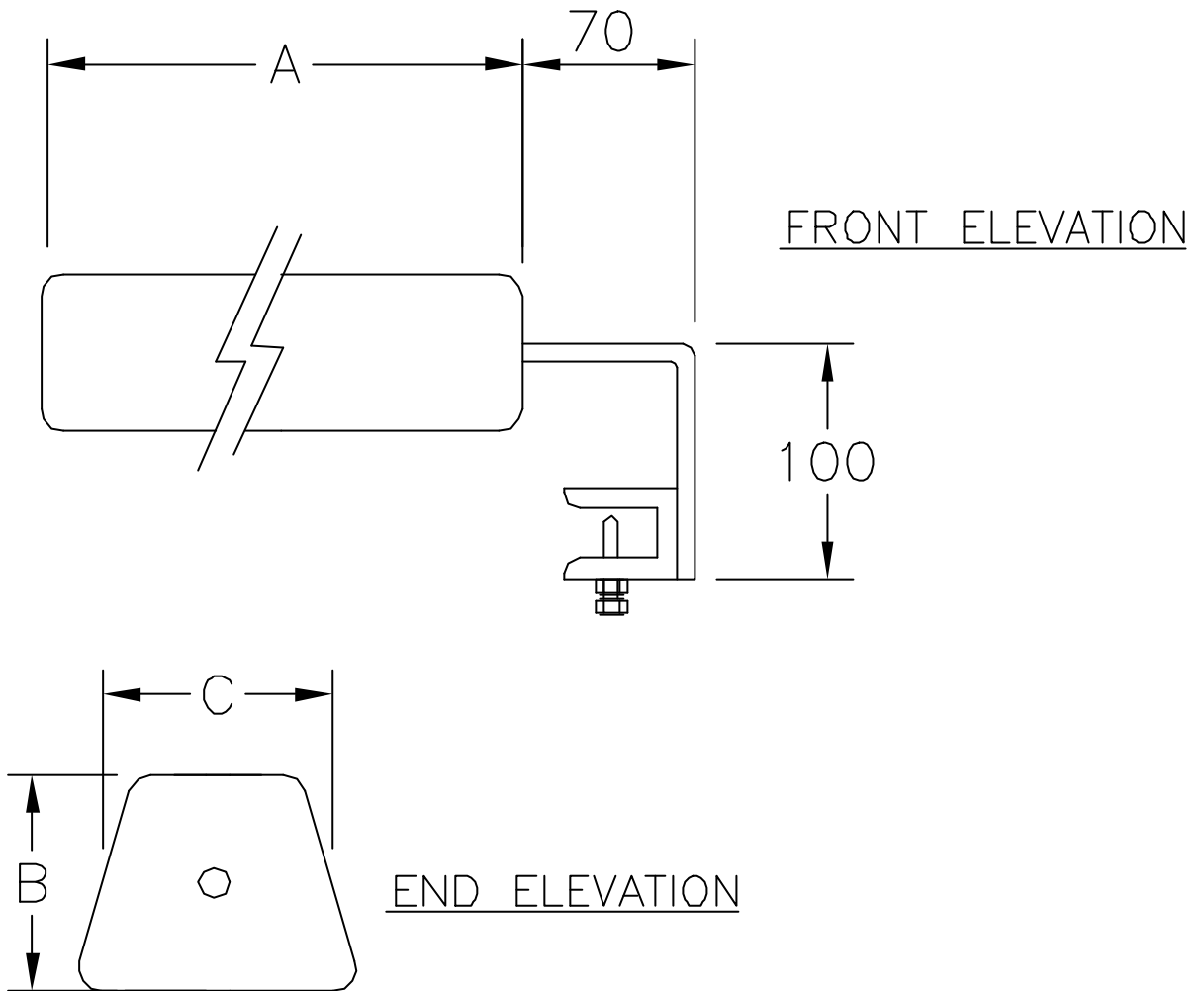
Cathodic Protection Technology Pte Ltd

4 Tuas Drive 1 Singapore 638671

Tel: 6862-3551

Fax: 6861-6436

Email : cptech@singnet.com.sg



CP Tech Aluminium Pit Guard Anodes					
TYPE	MATERIAL	A	B	C	NETT WEIGHT(KG)
AT2235	Aluminium	200	70	76	2.33
AT2235/1	Aluminium	400	70	76	4.7
AT2235/2	Aluminium	356	70	76	4.2
AT2237	Aluminium	395	76	63	4.5

All weights in kilograms.  
 All dimensions in millimetre.  
 All weights and dimensions are nominal.



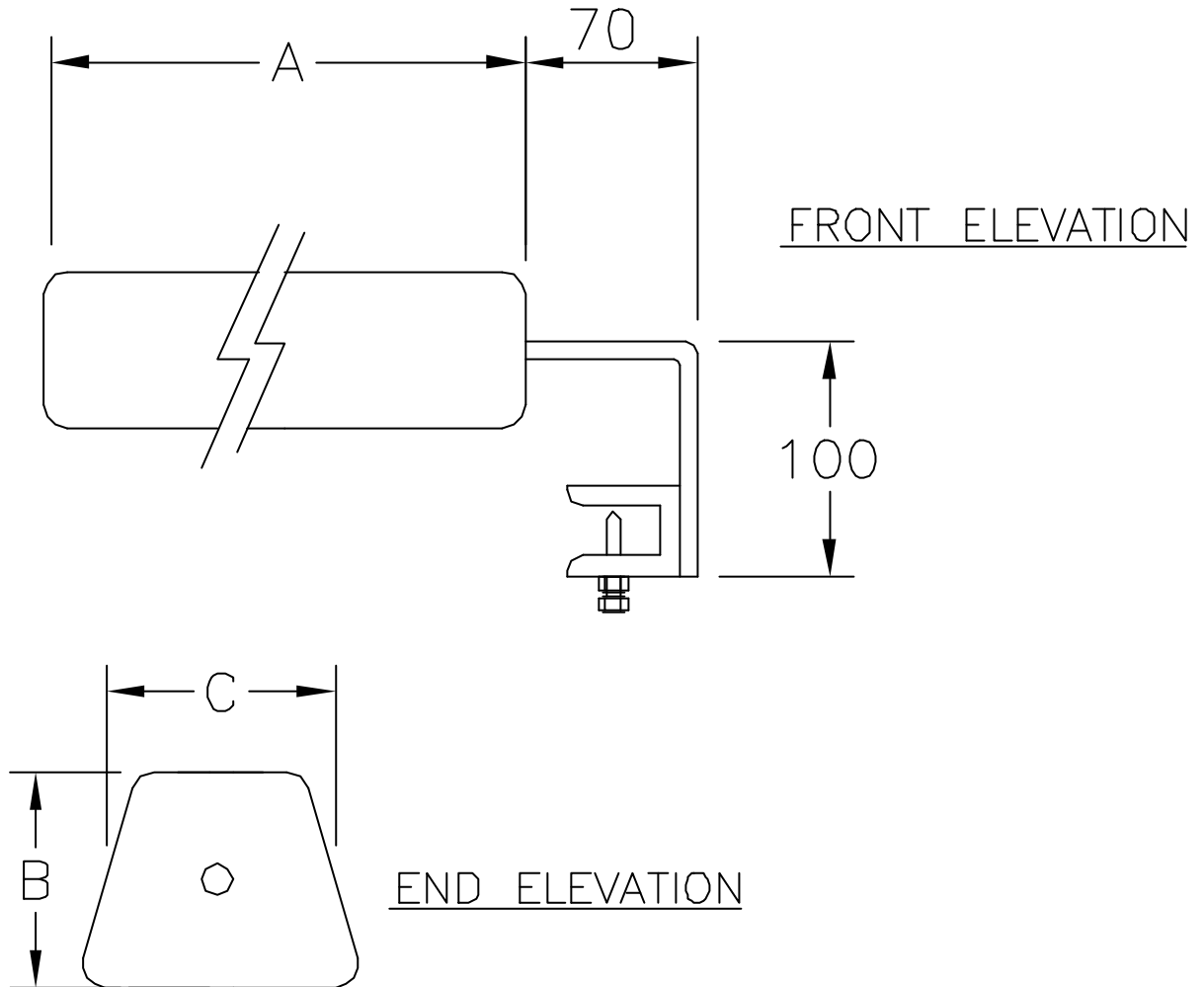
Cathodic Protection Technology Pte Ltd

4 Tuas Drive 1 Singapore 638671

Tel: 6862-3551

Fax: 6861-6436

Email : cptech@singnet.com.sg



CP Tech High Purity Zinc Pit Guard Anodes					
TYPE	MATERIAL	A	B	C	NETT WEIGHT(KG)
ZT2247	Zinc	332	70	76	10.0
ZT2252	Zinc	342	76	63	10.0

All weights in kilograms.  
 All dimensions in millimetre.  
 All weights and dimensions are nominal.